

DH-PFB305W

Wall Mount Bracket



Features

- Neat & Integrated design.
- Wall mount bracket.
- Material: Aluminum.
- Safety rope hook attached, secure and reliable.

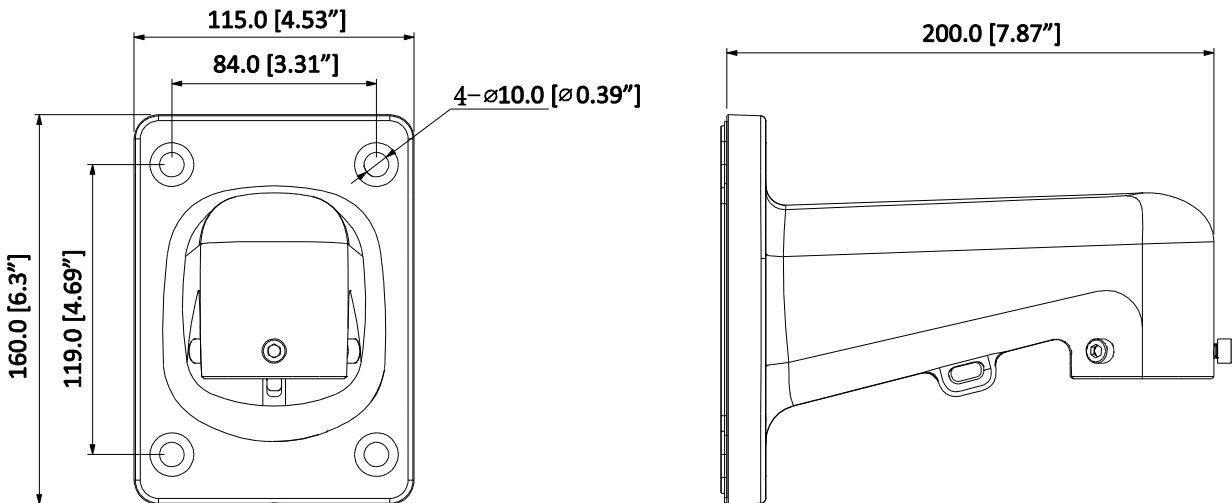
Technical Specifications

| | |
|-----------------------|--------------------------------------------|
| Model | DH-PFB305W |
| General | |
| Material | Aluminum |
| Dimension(WXHXD) | 200mmx160mmx115mm(7.87"x6.3"x4.53") |
| Weight | 0.87kg(1.92lb) |
| Load Bearing | 5.0kg(11.02lb) |
| Color | White |
| Operating Temperature | -40°C ~60°C(-40°F ~140°F) |
| Humidity | <90% RH |
| Applicable Model | DH-PFA106, DH-PFA120, DH-PFA150, DH-PFA151 |

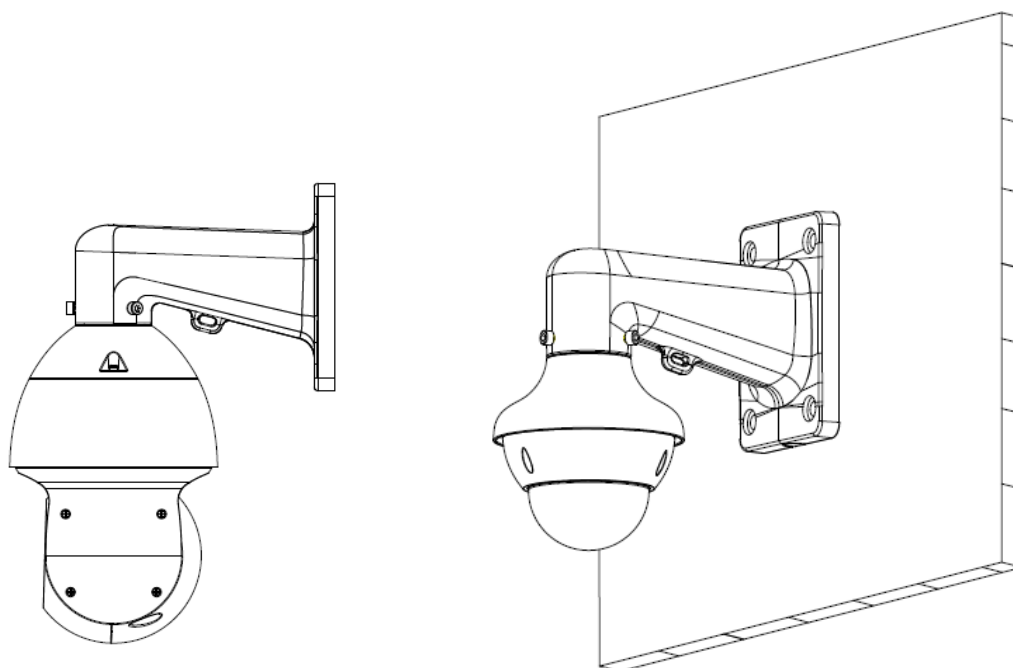
Order Information

| Type | Part Number | Description |
|---------------------|-------------|---------------------------------------|
| Camera Mount Series | DH-PFB305W | Wall mount bracket _ Dahua brand |
| | PFB305W | Wall mount bracket _Neutral, no brand |

Dimensions (mm/inch)



Application



Package Information

- Wall mount Bracket *1
- M6 screw *3
- Wrench *1